

Variable displacement vane pumps (with hydraulic pressure compensator)

## PVSH Type



### Key Features:

- Rotation:** Right (viewed from shaft end)
- Mounting flanges:** 4-hole flange (UNI ISO 3019/2) and flange  
Rectangular like gear pump Size 2 (only for size 05)
- Connections:** GAS BSP (UNI ISO 228/1) and SAE
- Integrated mechanical displacement limiter as standard on all pumps**
- Set-up for combined pumps on request**
- Wide choice of pressure and flow regulation controls**

Series/Name	Rated Displacement (cm <sup>3</sup> /r)	Maximum Flow Capacity at 1450 rpm (L/min)	Maximum Pressure (bar)
PVSH-05-8	8	12	250
PVSH-05-12	12	17	250
PVSH-05-16	16	23	250
PVSH-1-20	20	29	250
PVSH-1-25	25	36	250
PVSH-1-32	32	47	250
PVSH-2-40	40	58	250
PVSH-2-50	50	73	250
PVSH-2-63	63	92	250

## CONTENTS

GENERAL DESCRIPTION .....	B-3
TECHNICAL DATA .....	B-4
ORDERING CODE .....	B-5
CHARACTERISTIC CURVES.....	B-6
OVERALL DIMENSIONS.....	B-9
PRESSURE/FLOW-RATE CONTROLS.....	B-12
COMBINED PUMPS.....	B-15
ACCESSORIES.....	B-18
SETTINGS.....	B-19
INSTRUCTIONS FOR INSTALLATION AND USE .....	B-20
ASSEMBLY .....	B-22

### WARNING

All Parker Hannifin pumps have been carefully checked during manufacture and subjected to stringent testing cycles before shipment. To achieve optimum performance, avoid problems and maintain the warranty, the installation instructions enclosed with each pump sold must be strictly observed.

### NOTES

Before selection and/or use of any Parker Hannifin product, it is important that the purchaser carefully analyses all aspects of its application and reviews the information in the current Parker Hannifin Technical-Sales catalogues. Due to the many different operating conditions and applications for Parker Hannifin products, the purchaser, through their own analysis and testing, is solely responsible for making the final selection of the products and assuring that all performance and safety requirements are met.

Parker Hannifin accepts no responsibility for any editing mistakes in this catalogue.

Parker Hannifin reserves the right to modify the products and data contained in this catalogue at any time and without prior notice.

## GENERAL DESCRIPTION

As a result of the constant research carried out in order to introduce innovative products to the market characterised by high technological content and reliability, Parker Hannifin has launched the **new series of HIGH WORKING PRESSURE variable displacement vane pumps, known as PVSH.**

The new series of PVSH pumps combines the characteristics of other Parker Hannifin variable displacement vane pumps with

- SILENT RUNNING
- HIGH EFFICIENCY
- LONG WORKING LIFE
- ECONOMY AND SIMPLIFICATION OF HYDRAULIC SYSTEM
- MODULAR DESIGN
- ENERGY SAVING

with significant improvements in performance due to

- **HIGH WORKING PRESSURE**
- **EXCELLENT DYNAMICS OF DISPLACEMENT CONTROL**

The main innovation of the new series of PVSH pumps is the internal pump cartridge, designed to obtain perfect axial balancing, both in terms of hydrostatic compensation of the distribution plates and the fluid flow-rate from inlet to outlet.

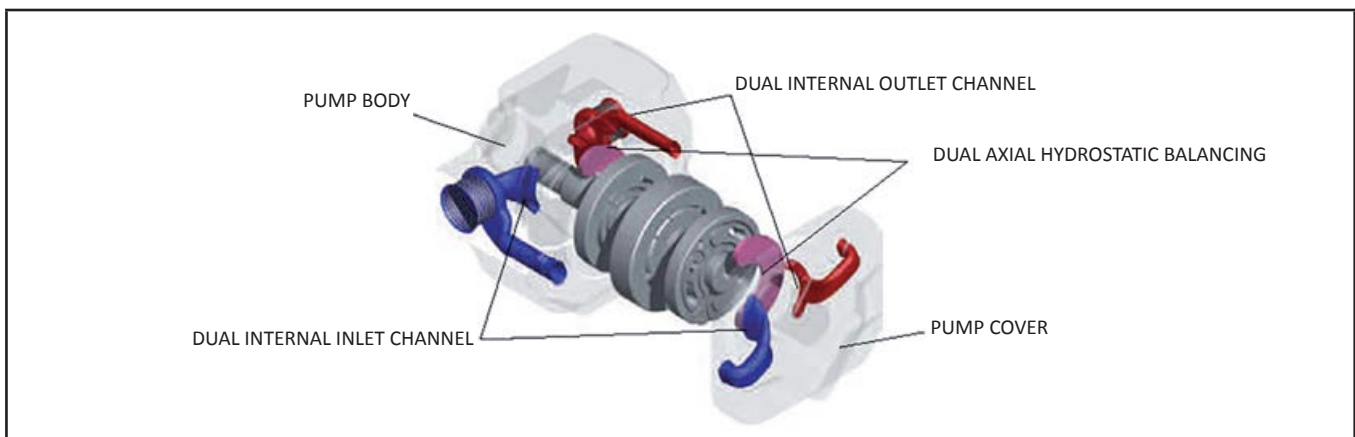
The new series of PVSH pumps is supplied with:

- ISO standard MOUNTING FLANGES
- GAS BSP and SAE standard PORT CONNECTIONS
- flow regulator unit in order to mechanically reduce pump displacement
- various types of hydraulic, electrical and proportional adjustment devices in order to control the pump flow-rate and/or pressure
- (on request only) set-up for coupling to all Parker Hannifin pumps or to the main others types of pump available on the fluid power market.

Considering the features outlined above, the new series of PVSH pumps is one of a kind, suitable for applications that require higher performances than the standard use of variable displacement vane pumps.

### What makes the new Parker Hannifin PVSH series of pumps unique?

- 250 bar working pressure
- DUAL INLET AND OUTLET CHANNELS in the internal pump cartridge
- DUAL AXIAL HYDROSTATIC BALANCING on the distribution plates
- "FORCED" HYDRODYNAMIC LUBRICATION on journal bearings
- NEW FUNCTIONAL DESIGN OF THE PRESSURE COMPENSATOR DEVICE (reduction in pressure overshoots and pressure stabilization time)
- REDUCTION IN WEAR on internal pump cartridge parts
- INNOVATIVE SHAPES AND DESIGN



**TECHNICAL DATA**

NOMINAL SIZE	SIZE 05			SIZE 1			SIZE 2		
<b>Geometric displacement according to UNI-ISO 3662 (cm<sup>3</sup>/r)</b>	8	12	16	20	25	32	40	50	63
<b>Actual displacement (cm<sup>3</sup>/r)</b> Due to manufacturing tolerances, the value can vary by approx. ± 3%	8	12	17.9	22,5	28	33,4	43	51	63
<b>Maximum working pressure (bar)</b> Pressure peak exceeding 30% of the maximum operating pressure must be eliminated by adopting the appropriate measures	250								
<b>Pressure setting range (bar)</b>	H: 20 ÷ 250								
<b>Permitted maximum drain port pressure (bar)</b>	1								
<b>Inlet pressure (bar)</b>	0.8 - 1.5 absolute								
<b>Speed range (r/min)</b>	800 ÷ 1800						800 ÷ 1500		
<b>Rotation direction (viewed from shaft end)</b>	R - Right								
<b>Loads on drive shaft</b>	NO RADIAL OR AXIAL LOADS ALLOWED								
<b>Maximum torque on primary shaft (Nm)</b>	Tmax			130	250		586		
<b>Hydraulic fluid</b>	HM hydraulic oil according to ISO 6743/4 HLP according to DIN 5124/2 for other fluids contact Parker Hannifin Technical-Sales Service								
<b>Viscosity range (cSt, mm<sup>2</sup>/s)</b>	22 - 68 at operating temperature								
<b>Starting viscosity under full flow conditions (cSt, mm<sup>2</sup>/s)</b>	400 max								
<b>Viscosity index according to ISO 2909</b>	100 min								
<b>Inlet fluid temperature range (°C)</b>	+15 / +60 - pay attention to viscosity range								
<b>Maximum acceptable fluid contamination level</b>	20/18/15 according to ISO 4406/99, CLASS 9 according to NAS 1638								
<b>Recommended fluid contamination level for a longer pump working life</b>	18/16/13 according to ISO 4406/99, CLASS 7 according to NAS 1638								
<b>Moment of inertia (kgm<sup>2</sup>)</b>	0,00019			0,00050			0,00909		
	<b>Single pump weight (kg)</b>								
<b>Single stage pressure compensator</b>	16.5			18.5			43,7		
<b>PCS002</b>	18.5			20.5			45,7		
<b>PCS004</b>	19.0			21.3			46,2		
For further information and/or different operating conditions, please contact Parker Hannifin Technical-Sales Service									

## ORDERING CODE

Series/ Name	Size Displacement	Flange	Pressure setting	Rotation	Seals	Combined pumps	Pressure controls
<b>PVSH</b>			<b>H</b>	<b>R</b>			

Code	Size	Displacement (cm <sup>3</sup> /r)
<b>05 - 8</b>	05	8
<b>05 - 12</b>	05	12
<b>05 - 16</b>	05	16
<b>1 - 20</b>	1	20
<b>1 - 25</b>	1	25
<b>1 - 32</b>	1	32
<b>2 - 40</b>	2	40
<b>2 - 50</b>	2	50
<b>2 - 63</b>	2	63

Code	Flange	Thread
<b>F</b>	UNI ISO3019/2 - 4 holes	GAS BSP UNI ISO 228/1; SAE

Code	Pressure setting
<b>H</b>	20 – 250 bar

Code	Rotation Direction
<b>R</b>	Right (viewed from shaft end)

Code	Seals
<b>M</b>	NBR
<b>E</b>	FPM (viton)

Code	Combined pumps
<b>/</b>	Omit for single pump
<b>A</b>	Primary pump and/or intermediate pump (available only for F flange)

Code	Pressure controls
<b>/</b>	Omit for single stage pressure compensator
<b>PCS002</b>	Pump with remote pressure control
<b>PCS004</b>	Pump with two-stage pressure control, both adjustable

For further information regarding pressure control solutions, please see pages 12 ÷ 14

Ordering code example:

- PVSH05-16FHRM
- PVSH05-16FHRMA
- PVSH1-20FHRM
- PVSH1-32FHRMAPCS004

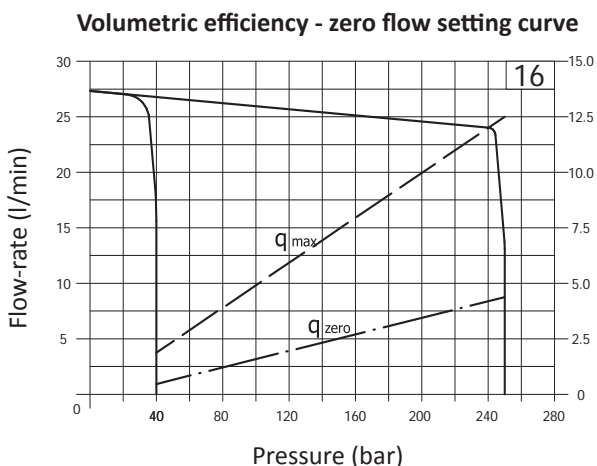
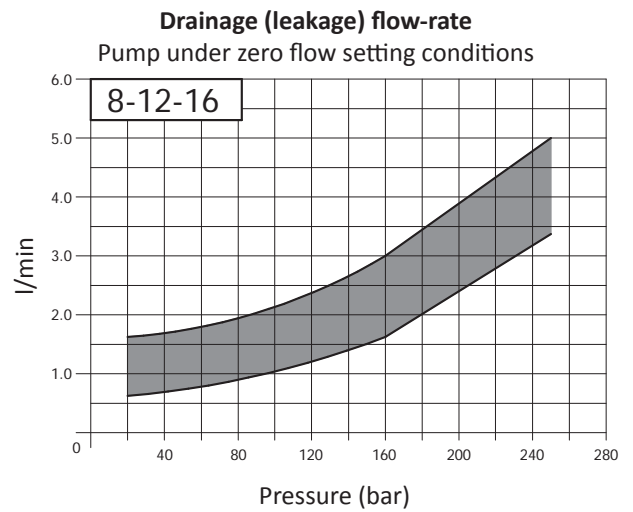
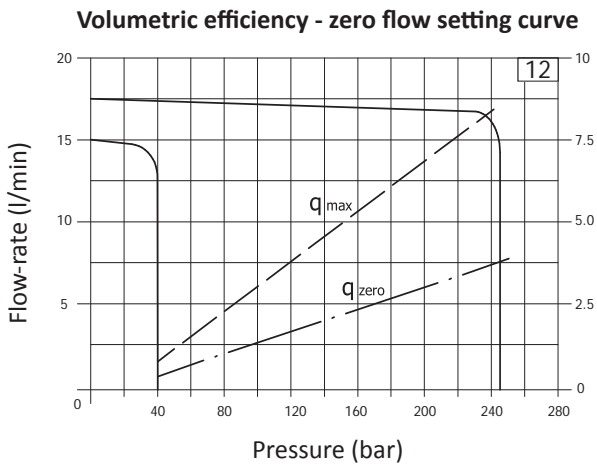
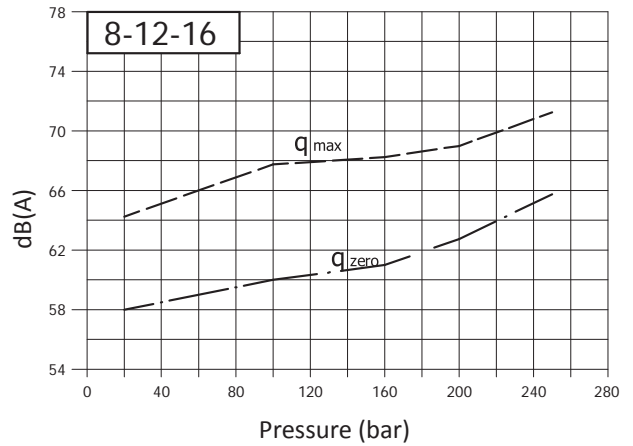
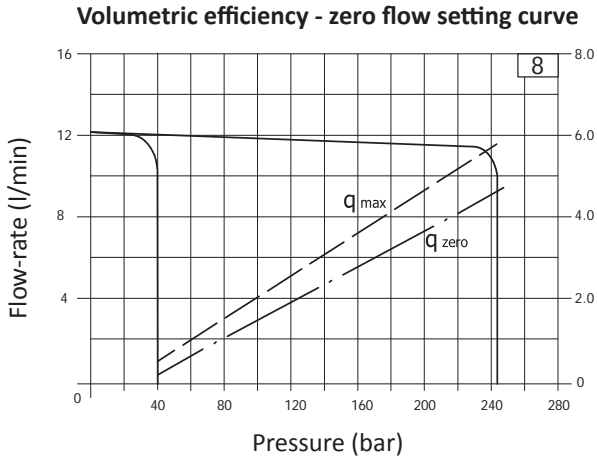
# CHARACTERISTIC CURVES

Indicative values measured on Parker Hannifin test machine, referring to 1500 rpm, with HM hydraulic oil according to ISO 6743/4, ISO VG 46 according to ISO 3448, temperature 40°C.

## PVSH 05 8-12-16 FHRM

### Noise level

Indicative maximum noise level values measured on Parker Hannifin test bench with sound-level meter placed one metre from the pump, with flexible coupling

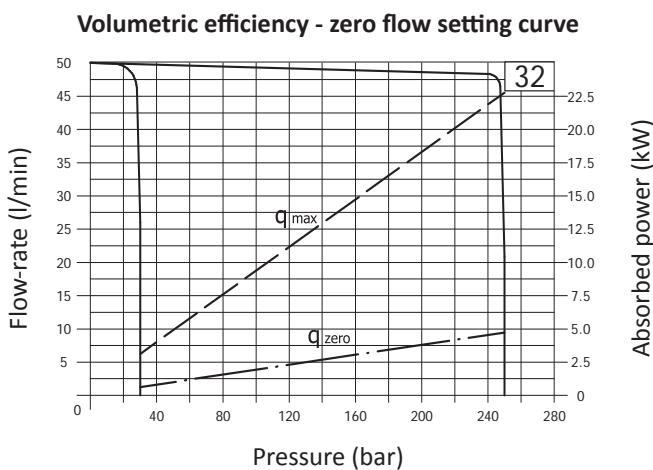
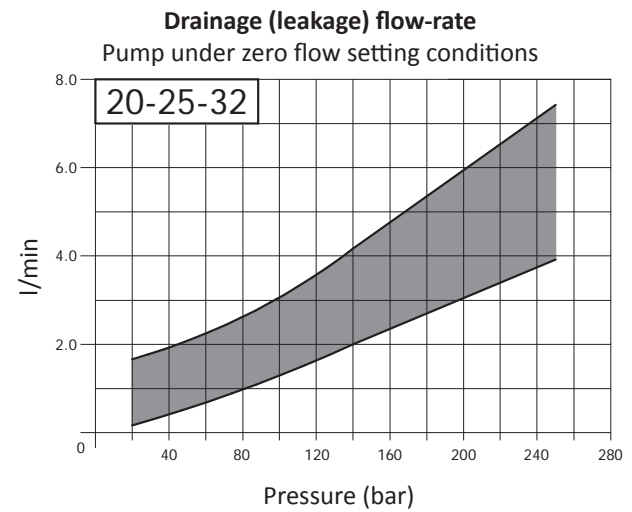
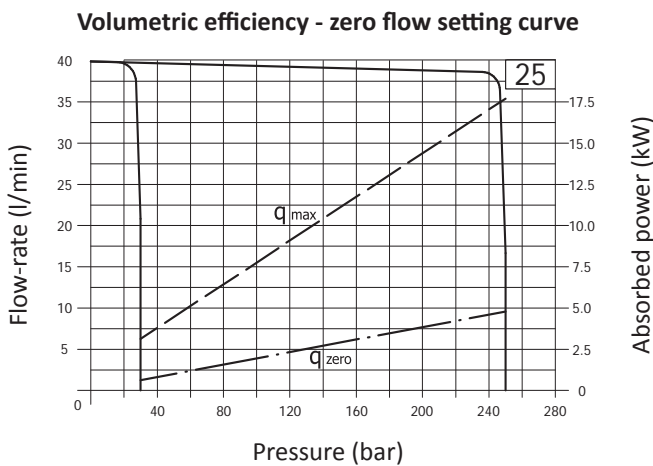
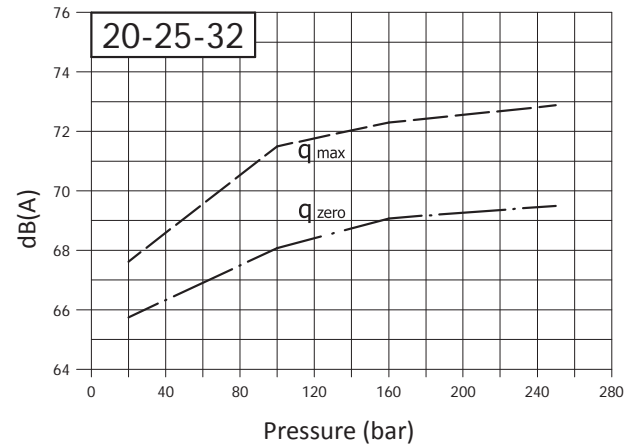
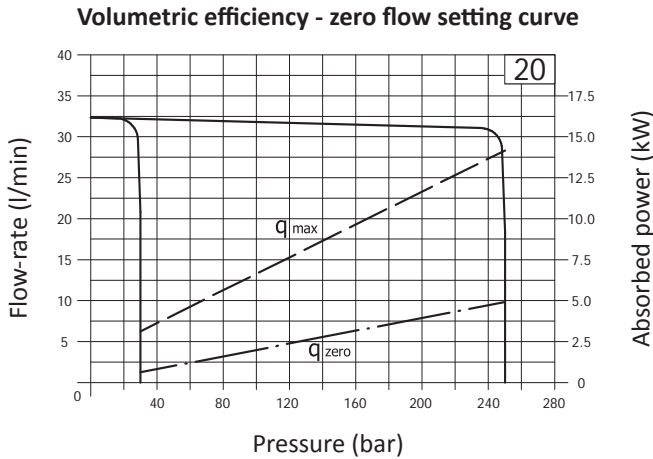


Indicative values measured on Parker Hannifin test machine, referring to 1500 rpm, with HM hydraulic oil according to ISO 6743/4, ISO VG 46 according to ISO 3448, temperature 40°C.

**PVSH 1 20-25-32 F**

**Noise level**

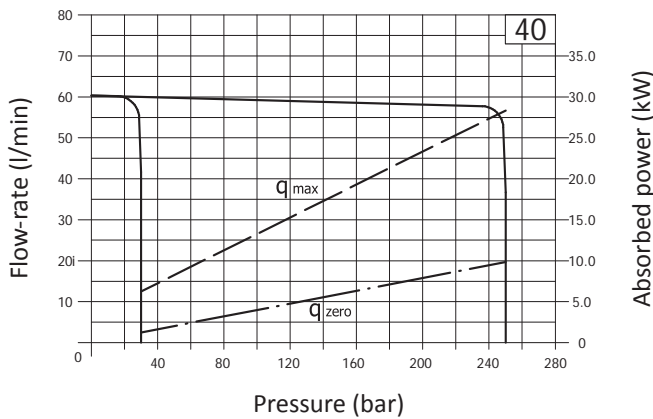
Indicative maximum noise level values measured on Parker Hannifin test bench with sound-level meter placed one metre from the pump, with flexible coupling



Indicative values measured on Parker Hannifin test machine, referring to 1500 rpm, with HM hydraulic oil according to ISO 6743/4, ISO VG 46 according to ISO 3448, temperature 40°C.

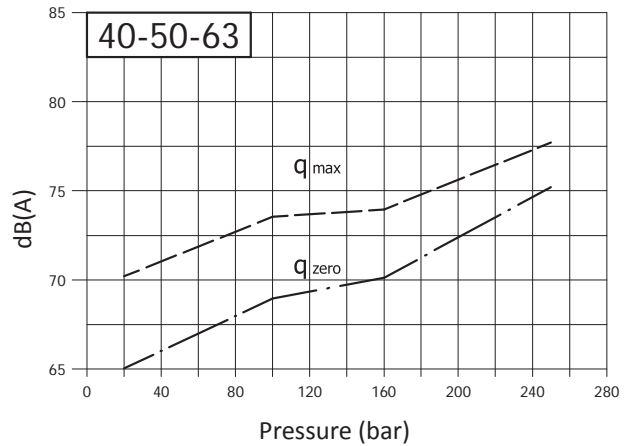
**PVSH 2 40-50-63 F**

**Volumetric efficiency - zero flow setting curve**

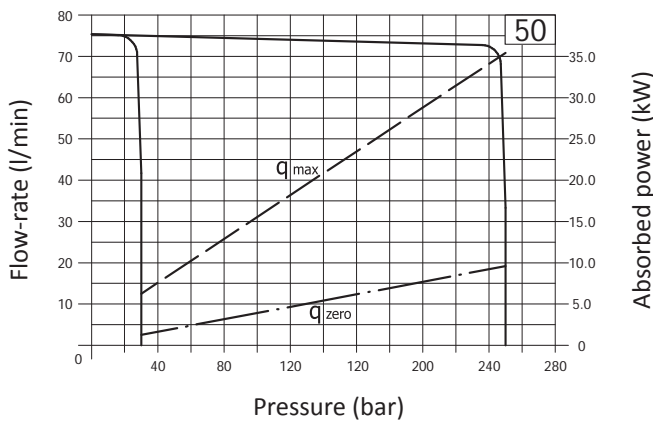


**Noise level**

Indicative maximum noise level values measured on Parker Hannifin test bench with sound-level meter placed one metre from the pump, with flexible coupling

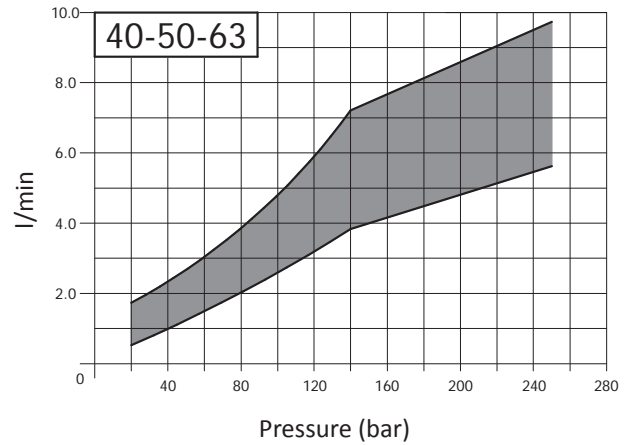


**Volumetric efficiency - zero flow setting curve**

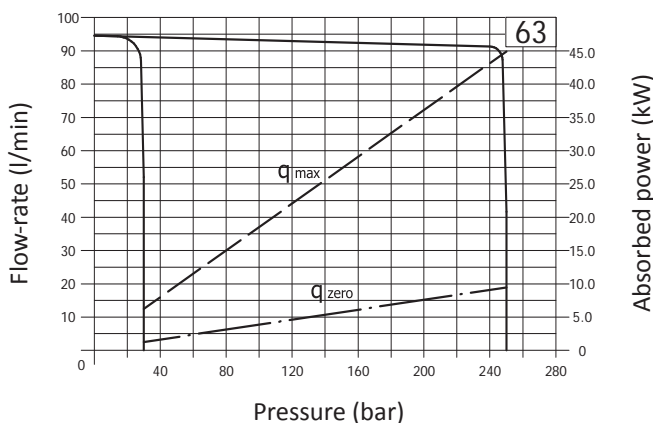


**Drainage (leakage) flow-rate**

Pump under zero flow setting conditions



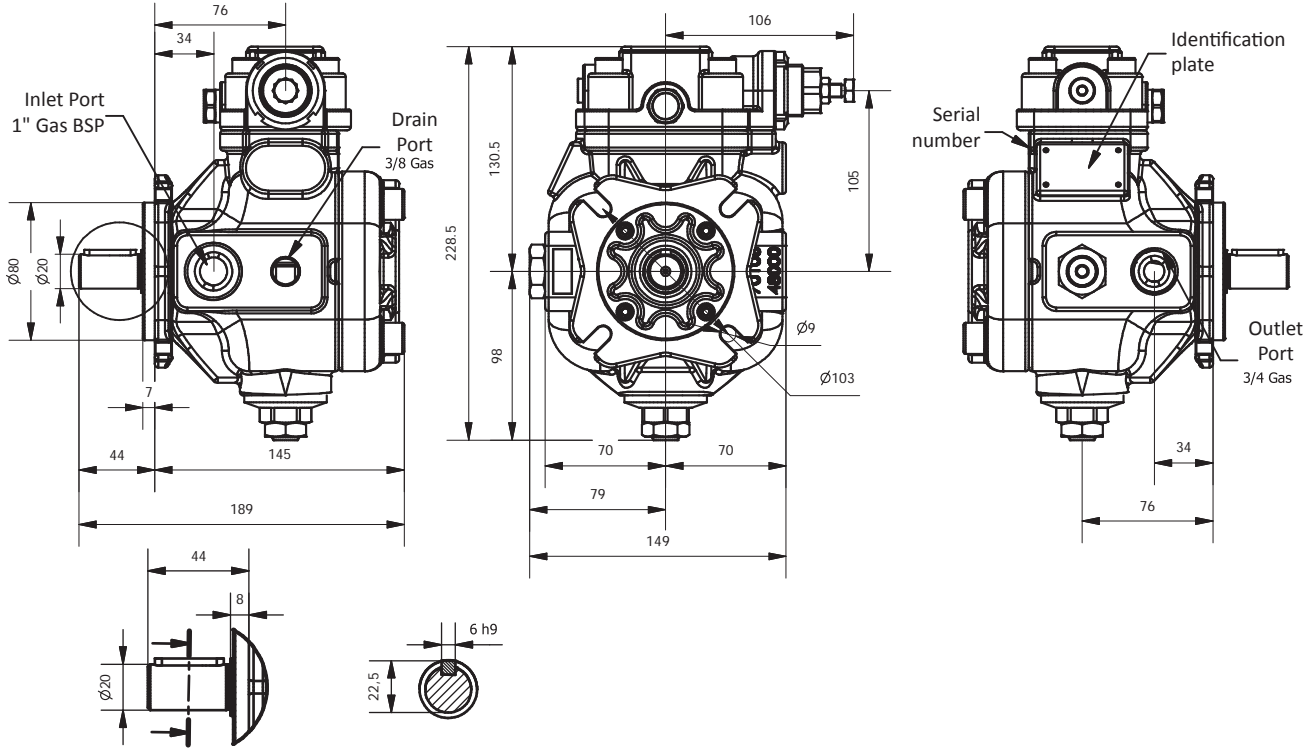
**Volumetric efficiency - zero flow setting curve**





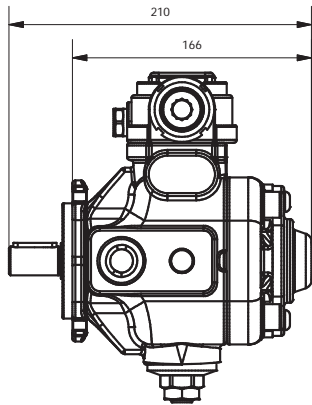
# OVERALL DIMENSIONS

## PVSH 05 8-12-16 FHRM

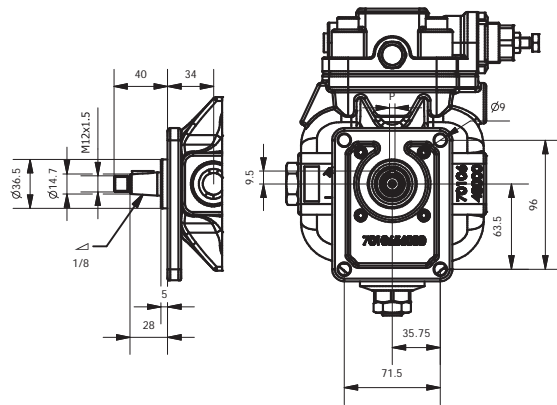


OVERALL DIMENSIONS

### THRU-DRIVE SHAFT (-A)



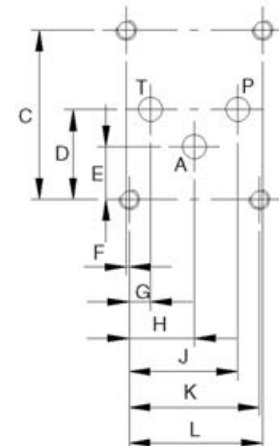
### FGR2 FLANGE AND SHAFT (not available on -A version)

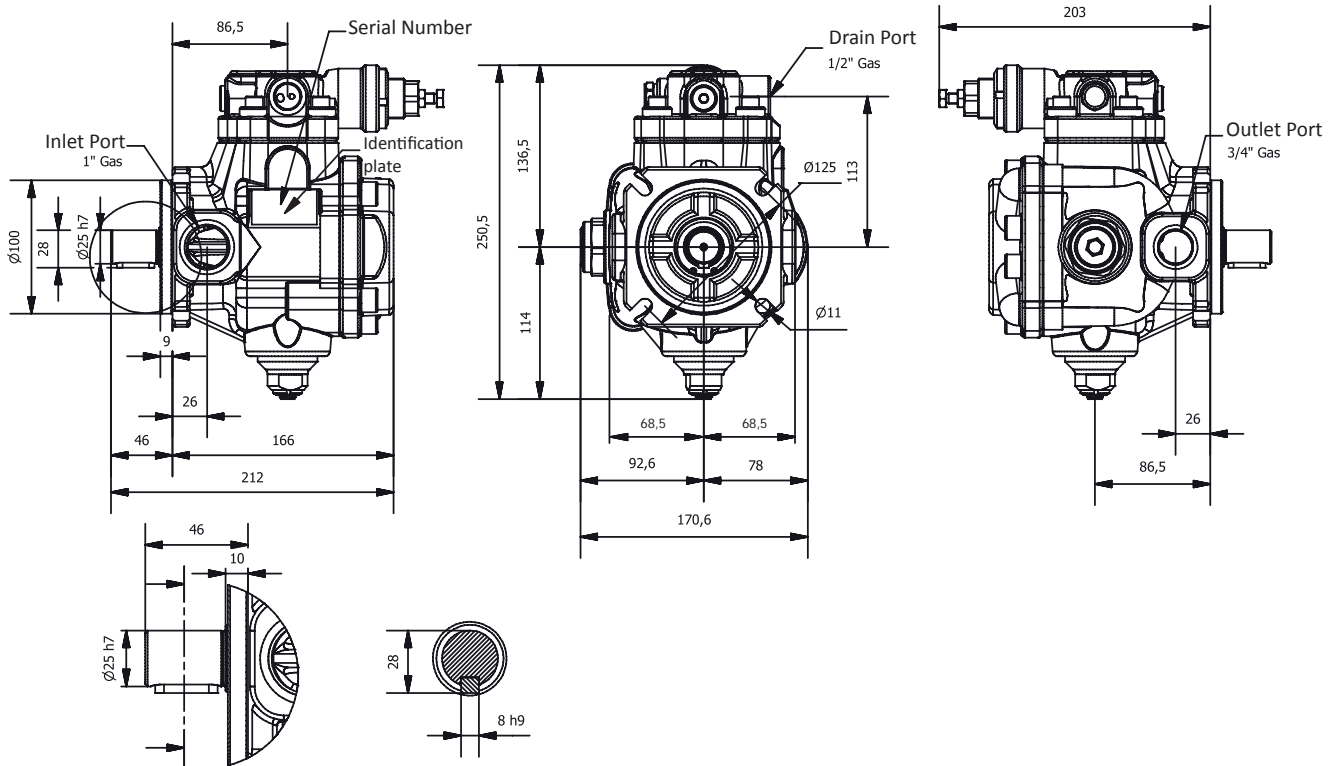
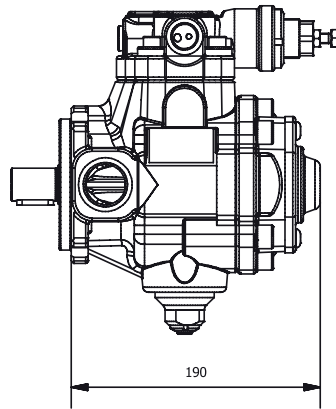


For combined pump solutions, please see pages 15-18

Mounting surface ISO 4401-03 (CETOP 03) for pressure controls PCS 004

Designation	Dimension
C	40.5
D	21.5
E	12.7
F	0.75
G	5.1
H	15.5
J	25.9
K	31
L	31.75

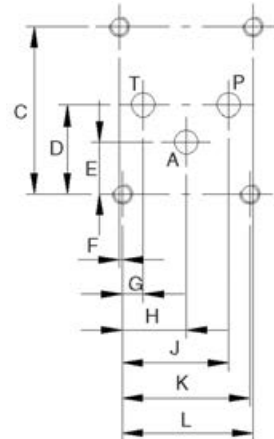


**PVSH 1 20-25-32 F**

**THRU-DRIVE SHAFT (-A)**


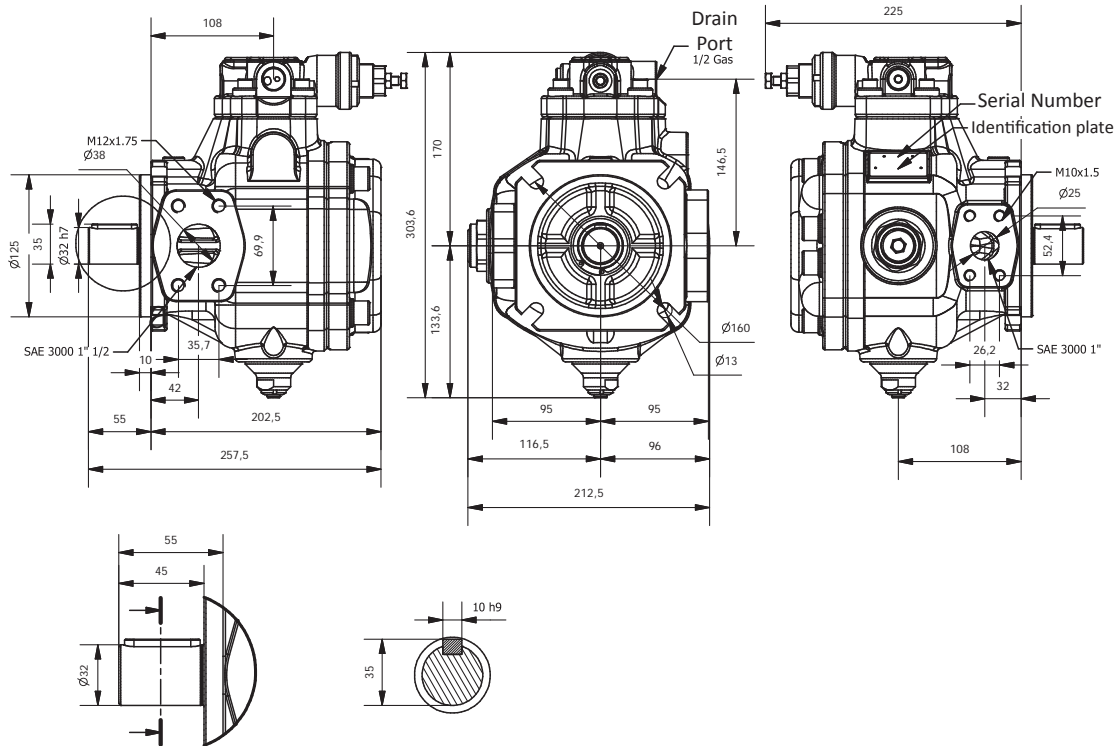
For combined pump solutions, please see pages 15-18

Mounting surface ISO 4401-03 (CETOP 03) for pressure controls PCS 004

Designation	Dimension
C	40.5
D	21.5
E	12.7
F	0.75
G	5.1
H	15.5
J	25.9
K	31
L	31.75

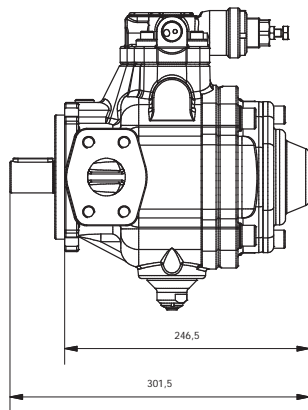


PVSH 2 40-50-63 F



OVERALL DIMENSIONS

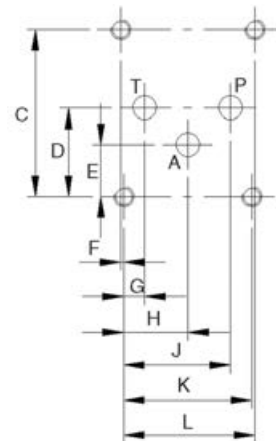
THRU-DRIVE SHAFT (-A)



For combined pump solutions, please see pages 15-18

Mounting surface ISO 4401-03 (CETOP 03) for pressure/flow-rate controls PCS 004)

Designation	Dimension
C	40.5
D	21.5
E	12.7
F	0.75
G	5.1
H	15.5
J	25.9
K	31
L	31.75



## PRESSURE/FLOW-RATE CONTROLS

### STANDARD CONTROL

#### Hydraulic single-stage pressure control.

This standard control enables the pump displacement to be adjusted (until "zero flow setting" condition) according to the flow-rate required by the hydraulic system, keeping the working pressure constant and equal to the value set on the compensator device.

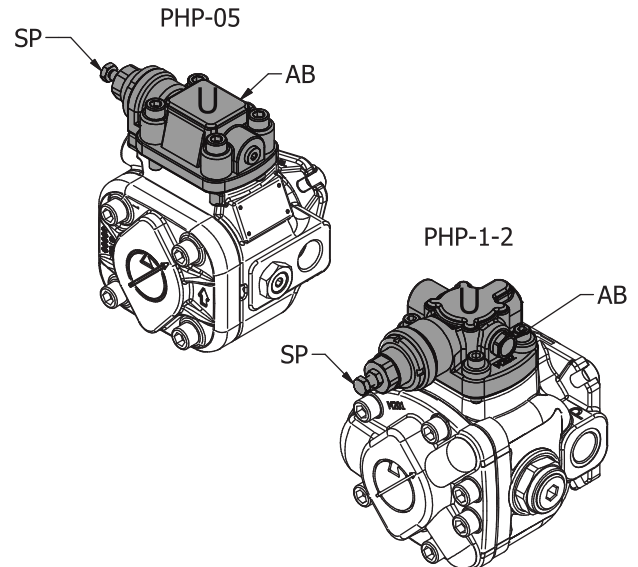
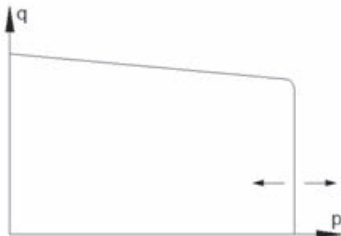
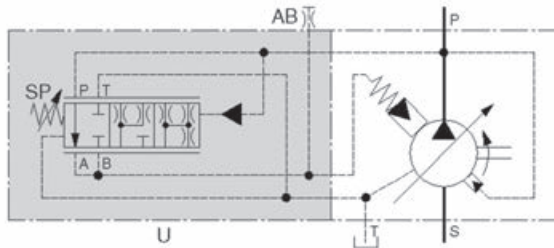
The pressure setting of the compensator device is adjusted by means of the "SP" pressure setting screw and locked using the corresponding locknut.

Properties	
Pressure setting range	20 – 250 bar

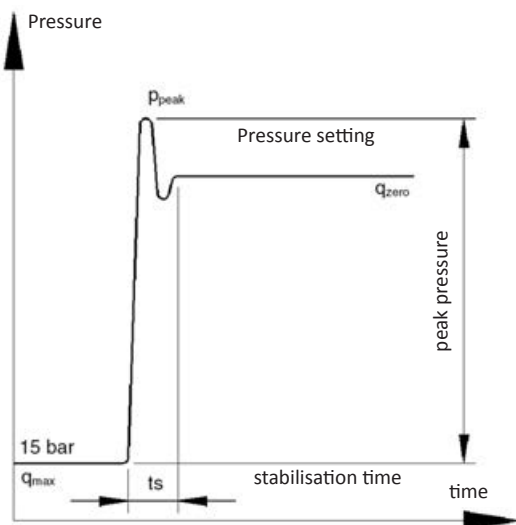
Control Devices	
"U"	Standard pressure compensator device

Pressure setting	
Pressure setting screw	CH 13 mm HEX
Pressure setting locknut	CH 13 mm HEX
Clockwise rotation increases the pressure setting	

Connections	
"AB" – Air Bleed	1/4" Gas BSP ■
■	Supplied port closed



For overall dimensions please see pages 9-11



Dynamic characteristics of pressure compensator device		
Test: full flow → zero flow setting condition		
Pump type	15 → 210 bar	15 → 250 bar
	ts	ts
PVSH 05	50 ms	40 ms
PVSH 1	80 ms	60 ms
PVSH 2	100 ms	80 ms

Testing conditions on Parker Hannifin test machine:

- Dynamic response curves obtained by abruptly closing the pump outlet using a solenoid operated directional valve located around 0.5 m from the pump outlet port.
- HM hydraulic fluid according to ISO 6743/4, ISO VG46 according to ISO 3448, temperature 40°C, 1500 rpm
- **PRESSURE PEAKS EXCEEDING 30% OF THE MAXIMUM OPERATING PRESSURE MUST BE ELIMINATED**
- INDICATIVE VALUES. FOR FURTHER INFORMATION PLEASE CONTACT PARKER HANNIFIN TECHNICAL-SALES SERVICE.

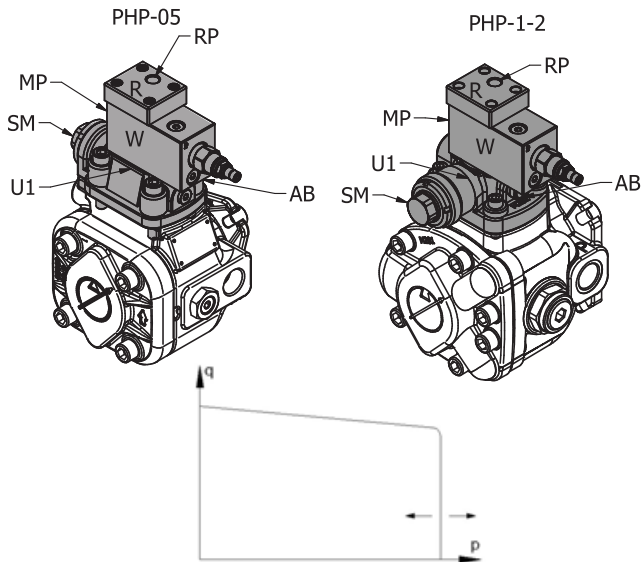
## PCS002 CONTROL

### Hydraulic control with remote pressure setting.

The function of this control is the same as the standard control function with the addition of the possibility of adjusting the working pressure by means of an additional maximum pressure relief valve "RV" installed in a remote position, far from the pump.

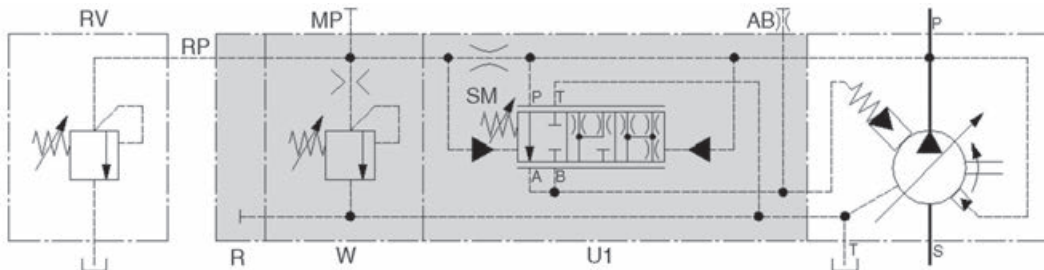
Control performances depends on the additional valve type and on its distance from the pump.

Properties	
Pressure setting range	20 – 250 bar



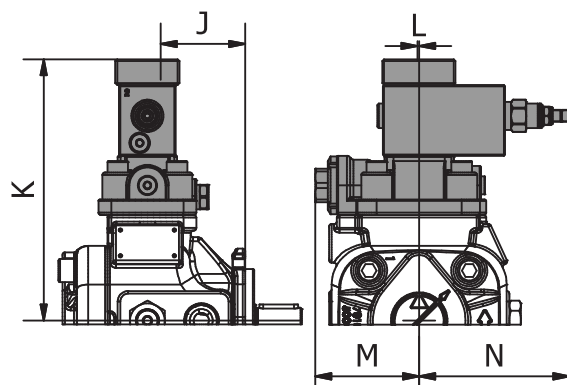
Control Devices	
"U1"	Pressure compensator device for additional controls
"SM"	"Minimum pressure" spring adjustment (factory preset at 20 bar – do not tamper)
"W"	Maximum pressure relief valve (factory preset at maximum value 250 bar)
"R"	Remote control block
"RV"	Additional remote maximum pressure relief valve (Properties: 0 - 5 l/min ( <b>not supplied</b> ))

Connections	
"AB" – Air Bleed	1/4" Gas BSP ■
"MP" – Pressure gauge	1/4" Gas BSP ■
"RP" – Remote control port	1/4" Gas BSP □
The pilot pipe length between the pump and the additional valve "RV" must not exceed 5m.	
□	Must be connected
■	Supplied port closed



Designation	Dimensions		
	SIZE 05	SIZE 1	SIZE 2
J	66	76	97.7
K	203	204	237.5
L	1.3	1.3	1.3
M	81	-	-
N	117	117	117

Indicative dimensions. For further information please contact Parker Hannifin Technical-Sales Service.



## PCS004 CONTROL

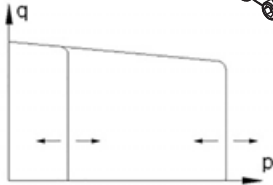
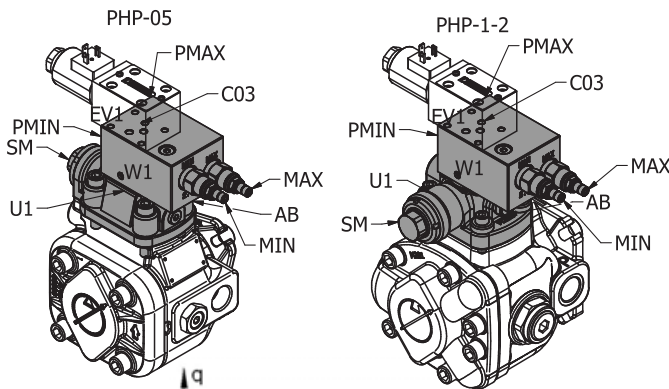
**Hydraulic two-stage pressure control, both adjustable.**

The function of this control is the same as the standard control with the addition of the option to mount a directional control valve "EV1" on the top of the compensator in order to switch between two adjustable working pressure levels.

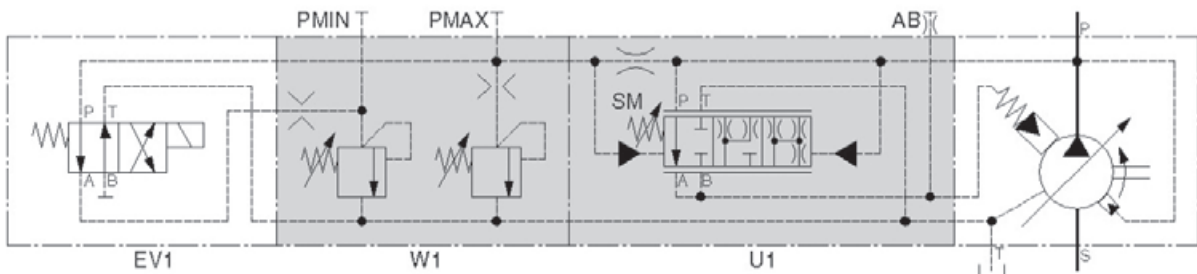
Control performance depends on the type of additional directional control valve.

Properties	
1st adjustable pressure level	20 – 250 bar
2nd adjustable pressure level	20 – 250 bar
Note: 1st adjustable pressure level < 2nd adjustable pressure level	

Control Devices	
"U1"	Pressure compensator device for additional controls
"SM"	"Minimum pressure" spring adjustment (factory preset at 20 bar – do not tamper)
"W1"	Maximum pressure relief valve block "MIN" 1st adjustable pressure level "MAX" 2nd adjustable pressure level
"EV1"	Directional control valve ( <b>supplied only on request</b> ) For information please contact Parker Hannifin Technical-Sales Service.

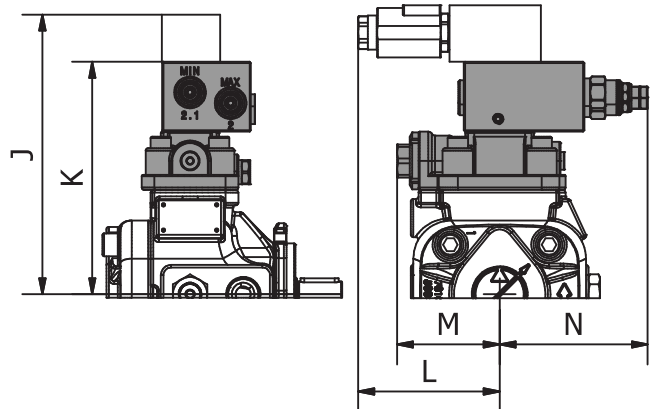


Connections	
"AB" – Air Bleed	1/4" Gas BSP ■
Pressure gauge	"PMIN" 1/4" Gas BSP ■ "PMAX" 1/4" Gas BSP ■
Surface – "C03" (See pages 9-11)	ISO 4401-03 (CETOP 03) □
■	Supplied port closed
□	Must be connected



Designation	Dimensions		
	SIZE 05	SIZE 1	SIZE 2
J	(*)	(*)	(*)
K	183	184	217.5
L	(*)	(*)	(*)
M	81	-	-
N	117	117	117

(\*): Please consult the directional control valve catalogue  
Indicative dimensions. For further information please contact Parker Hannifin Technical-Sales Service.





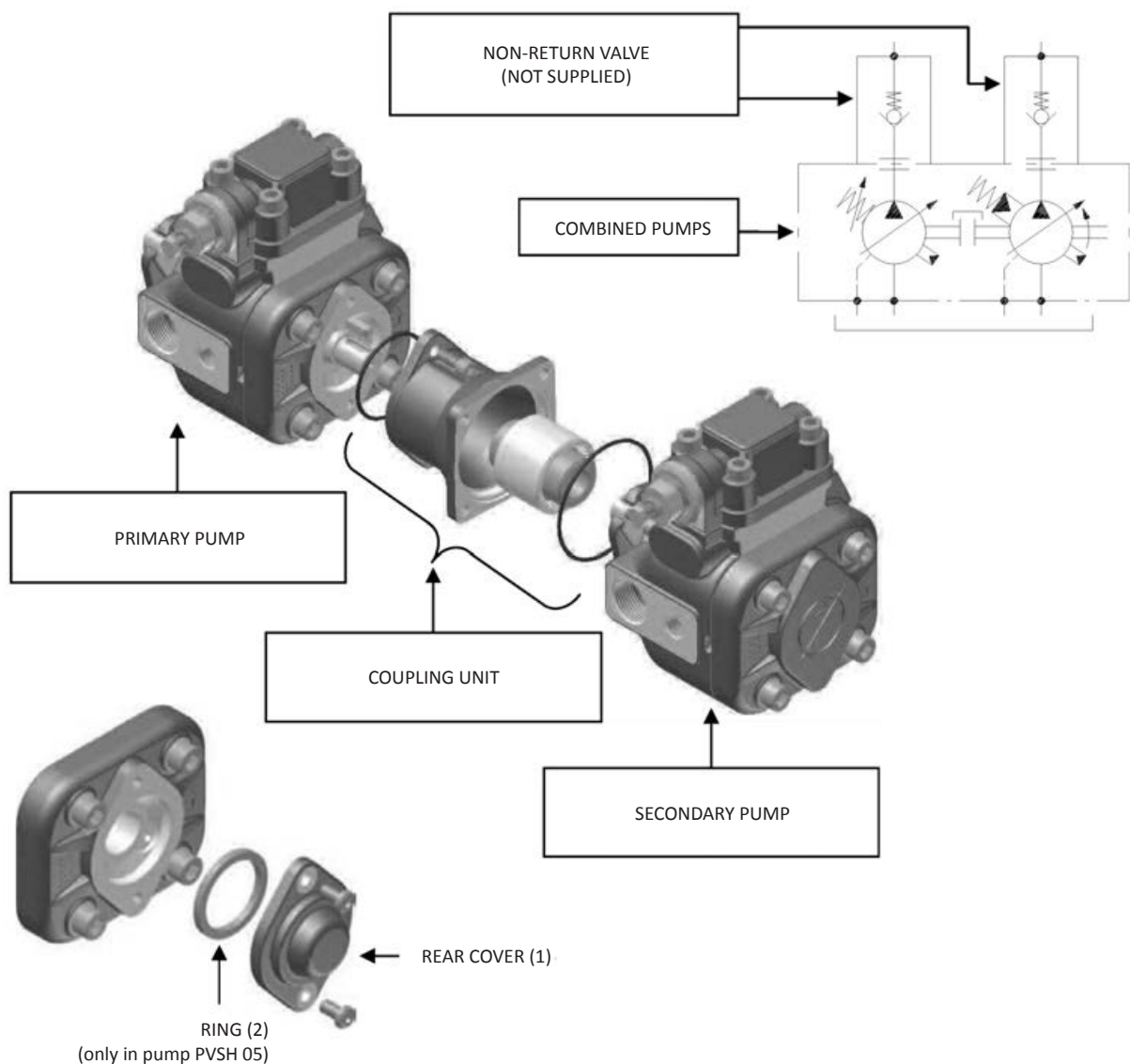
## COMBINED PUMPS

On request, Parker Hannifin pumps from the PVSH series can be set up for coupling:

- to pumps belonging to the same PVSH series;
- to pumps belonging to other Parker Hannifin series;
- to the main others types of pumps available on the fluid power market.

The PVSH series pumps set up for coupling are marked by the letter "A" in the ordering code. In these pumps, the shaft and the rear pump cover are set up for coupling to the various available coupling units. Unscrew the screws marked (1) from the primary pump (screws will not be re-installed)

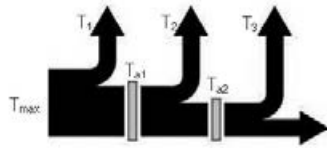
- Remove the pump cover marked as (1) from the primary pump (cover will not be re-installed)
- remove the ring marked (2) from the primary pump (ring will not be re-installed) (only for pump PVSH 05)
- Mount the coupling unit, paying attention to the seals (Note: primary pump drainage fluid will fill up the coupling bell-housing)
- Mount the secondary pump



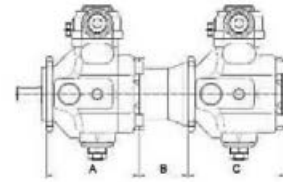
Combined pumps should be mounted in decreasing order of absorbed power, paying attention to the maximum acceptable torques (see diagram on the following page).

The ordering code for a combined pump should be specified according to coupling sequence (primary pump code + coupling unit code + secondary pump code).

- The sum of individual torques of all pumps in the complete pump combination must not exceed the maximum permissible torque value applicable to the primary pump shaft ( $T_{max}$  see page 4).
- Secondary pump torque (or sum of torques for more than one secondary pump) must not exceed the coupling unit maximum thru drive torque ( $T_a$ , see table below).



$$\begin{cases} T_1 + T_2 + T_3 < T_{max} \\ T_2 + T_3 < T_{a1} \\ T_3 < T_{a2} \end{cases}$$



PRIMARY PUMP		SECONDARY PUMP		COUPLING UNIT		Maximum thru drive torque $T_a$
Pump type	A	Pump type	C	Code	B	
PVSH 05 8-12-16 F..A	139	PVSL 05 (8-12-16) F	107	3000010200	73	55 Nm
		PVSL 05 (8-12-16) FGR2	107	3000011200	72	
		PVSH 05 (8-12-16) F	145	3000010200	73	
		PVSH 05 (8-12-16) FGR2	145	3000011200	72	
		SAE "A"	(*)	3100000100	88.5	
		PGP502...P2D1..	(**)	3000011000	64	
		PGP505...Q2D2..	(**)	3000011100	64	
PGP511...S4D3..	(**)	3000011200	72			
PVSH 1 (20-25-32) F..A	163	PVSL 05 (8-12-16) F	107	3000010200	73	
		PVSL 05 (8-12-16) FGR2	107	3000011200	72	
		PVSH 05 (8-12-16) F	145	3000010200	73	
		PVSH 05 (8-12-16) FGR2	145	3000011200	72	
		SAE "A"	(*)	3100000100	88.5	
		PGP502...P2D1..	(**)	3000011000	64	
		PGP505...Q2D2..	(**)	3000011100	64	
		PGP511...S4D3..	(**)	3000011200	72	
		PVSL 1 (20-25-32) F	166	3000010100	75	
		PVSH 1 (20-25-32)F	166	3000010100	75	
PVSH 2 (40-50-63) F..A	199.5	PGP502...P2D1..	(**)	3000022000	64	110 Nm
		PGP505...Q2D2..	(**)	3000022100	64	
		PGP511...S4D3..	(**)	3000022200	72	
		PGP517...T1D7..	(**)	3000022300	75	
		PVSL 05 (8-12-16) F	107	3000020400	73	
		PVSL 05 (8-12-16) FGR2	107	3000022200	72	
		PVSH 05 (8-12-16) F	145	3000020400	73	
		PVSH 05 (8-12-16) FGR2	145	3000022200	72	
		PVSL 1 (20-25-32) F	166	3000020100	75	
		PVSH 1 (20-25-32)F	166	3000020100	75	
		PVSL 2 (40-50-63)F	202.5	3000020200	108	
		PVSH 2 (40-50-63)F	202.5	3000020200	108	
		SAE "A"	(*)	3100000200	88.5	
SAE "B"	(*)	3100000300	132.5			

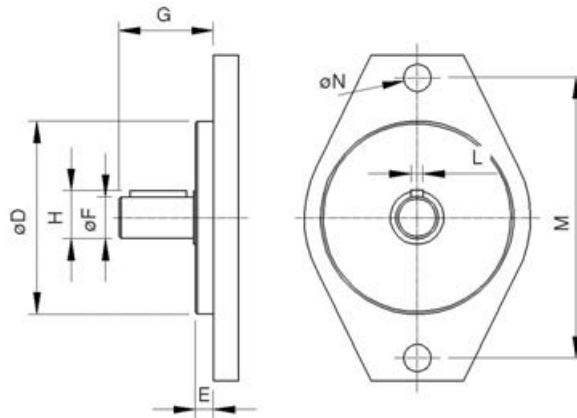
(\*) For the secondary pump flange dimensions please see page 17-18.  
To find out the secondary pump axial dimension please see the manufacturer's catalogue.

(\*\*) For the secondary gear pump flange dimensions please see page 17-18.  
In order find out the secondary gear pump axial dimension please see the manufacturer's catalogue.

For other coupling unit types, please contact Parker Hannifin Technical-Sales Service.

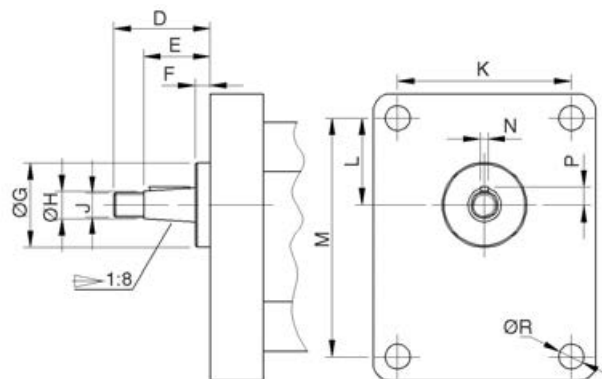


SAE FLANGE DIMENSIONS FOR PARKER HANNIFIN COUPLING KIT

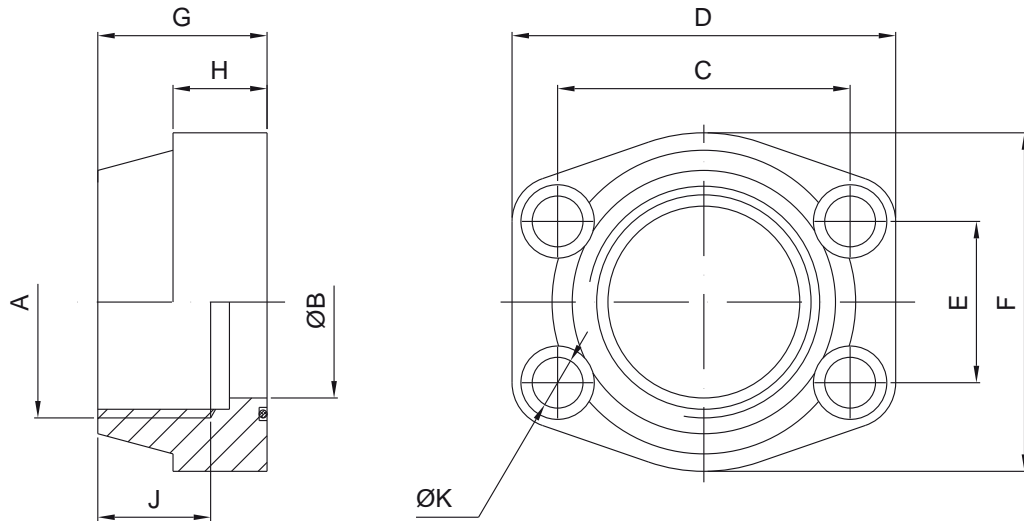


Secondary pump	Secondary pump with SAE flange should conform to the dimensions below								
	Ø D	E	Ø F	G		H	L	M	Ø N
				min	max				
SAE "A"	Ø82.5	7	Ø19.05	32	59	21.1	4.8	106.4	11.1
SAE "B"	Ø101.6	9.5	Ø22.2	41	71	25.1	6.375	146	14.3
						25.5	4.8		

GEAR PUMP FLANGE DIMENSIONS FOR PARKER HANNIFIN COUPLING KIT



Secondary pump	Secondary gear pumps should be conform to the dimensions below											
	D	E	F	Ø G	Ø H	J	K	L	M	N	P	Ø R
PGP502...P2D1..	29	20	4	25.4	8	M6	52.4	26.2	71.9	2.4	5.3	7.5
PGP505...Q2D2..	35	23.5	5.5	30	12	M10x1	56	24.5	73	3	7.9	6.5
PGP511...S4D3..	40	28	5	36.5	14.7	M12x1.5	71.5	32.5	96	4 (*)	9.7	8.5
PGP517...T1D7..	47	33	5	50.8	19	M14x1.5	98.5	43	128	4	12.2	11

**ACCESSORIES**
**FLANGES SAE J518 (3000 SERIES) SUPPLIED WITH SCREWS AND O-RING**


Pump type	Ordering code	Nominal size	A	ØB	C	D	E	F	G	H	J	ØK	Screws	O-Ring
PVSH 2	PFF34GCFM	1"	G1"	25	52.4	70	26.2	55	38	18	22	11	M10	OR32.92X3.53
	PFF36GCFM	1" 1/2	G1"½	38	70	93	35.7	78	45	25	24	13.5	M12	OR47.22X3.53

# SETTINGS

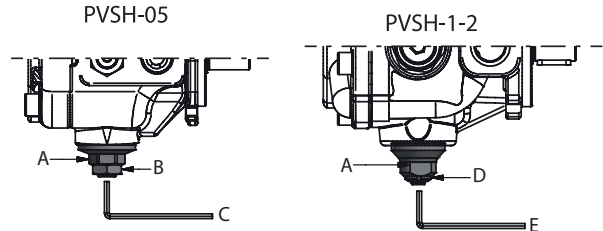
## Flow regulator unit

All PARKER HANNIFIN PVSH series pumps are equipped with a flow regulator unit. This allows the mechanical reduction of the pump displacement in relation to the nominal value.

**Warning:** If the flow regulator unit is set to less than 50% of the nominal displacement, the pump can only start on condition that the system and pump are completely filled with fluid.

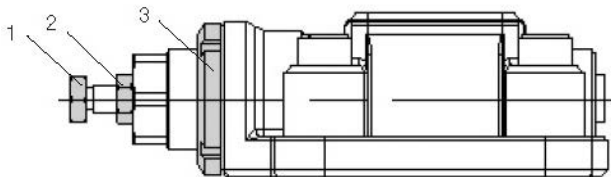
Rated Displacement	Actual displacement	Reduced displacement by screw turn	Minimum achievable displacement
Size 05-8	8 cm <sup>3</sup>	11 cm <sup>3</sup>	3,3 cm <sup>3</sup>
Size 05-12	12 cm <sup>3</sup>	11 cm <sup>3</sup>	3,3 cm <sup>3</sup>
Size 05-16	17.9 cm <sup>3</sup>	11 cm <sup>3</sup>	3,3 cm <sup>3</sup>
Size 1 – 20	22.5 cm <sup>3</sup>	10 cm <sup>3</sup>	9.5 cm <sup>3</sup>
Size 1 – 25	28 cm <sup>3</sup>	10 cm <sup>3</sup>	15 cm <sup>3</sup>
Size 1 - 32	33.4 cm <sup>3</sup>	10 cm <sup>3</sup>	19 cm <sup>3</sup>
Size 2 - 40	43 cm <sup>3</sup>	16 cm <sup>3</sup>	27.5 cm <sup>3</sup>
Size 2 - 50	51 cm <sup>3</sup>	16 cm <sup>3</sup>	35.5 cm <sup>3</sup>
Size 2 - 63	63 cm <sup>3</sup>	16 cm <sup>3</sup>	43.5 cm <sup>3</sup>

Indicative values influenced by manufacturing tolerances

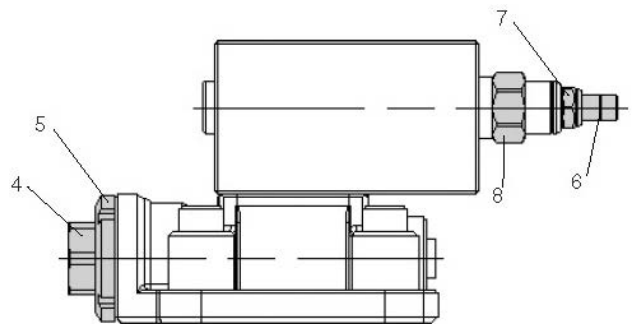


- A - DO NOT TOUCH
- B - LOCKNUT: 24 mm WRENCH
- C - ADJUSTMENT: 8 mm WRENCH
- D - KM1 SLOTTED ROUND LOCKNUT
- E - ADJUSTMENT: 6 mm WRENCH

Standard pressure compensator device		
1	Pressure setting screw Clockwise rotation increases pressure setting	CH 13 mm HEX
2	Pressure setting locknut	CH 13 mm HEX
3	Slotted round locknut - Do not tamper	5 mm slot



Pressure compensator device for additional controls		
4	<b>Controls PCS002, PCS004</b> Minimum pressure spring adjustment - Do not tamper	CH 26 mm HEX
5	Slotted round locknut	5 mm slot
6	Maximum pressure relief valve Pressure setting screw Clockwise rotation increases pressure setting	CH 5/32" HEX
7	Pressure setting locknut	CH 9/16" HEX
8	Do not tamper	CH 7/8" HEX



## INSTRUCTIONS FOR INSTALLATION AND USE

Pumps from the PVSH 05/1 series can be mounted in any position.

**Pump type PVSH 2 must be mounted with the shaft HORIZONTAL and the compensator device upward (see figure).**

When the pump is installed over the reservoir fluid level, pay attention to the inlet pressure (see page 4).

**Cleanliness is essential during assembly!**

Motor-pump coupling must be made with a self-aligning flexible coupling with convex teeth. When assembling make sure that:

- the distance between the half-couplings strictly falls within the specified values (see page 21);
- the pump shaft and the motor shaft are accurately aligned: concentricity within 0.05 mm, angular displacement within 0.2° (see drawing);
- strictly no radial or axial loads on the pump shaft.

Other types of motor-pump couplings are not permitted.

The fluid tank must be suitably sized in order to exchange the thermal power generated by the various system components and to provide a low recycle rate (tank capacity approximately 4 times the flow rate per minute of the pump). In systems where the pump runs for a long time under zero flow setting conditions, the installation of a heat exchanger in the drain line is recommended. The pressure on the drain port must never exceed the value specified on page 4.

**Maximum operating temperature must not exceed 60°C under any circumstances.**

To ensure the maximum pump working life, the inlet fluid temperature must never be above 50°C.

**Suction pipe.** The suction pipe should be as short as possible, with a small number of bends and without internal section changes. The pipe-end inside the tank should be cut at 45°, should have a minimum distance from the tank bottom of not less than 50 mm, and there should always be a minimum height of suction of 100 mm. Select the clear width of the pipes according to the pump inlet ports. **The suction pipe should be completely airtight in order to avoid air intake which could be extremely damaging to the pump.**

**Drain pipe.** The drain pipe must always be independent from the other return lines, connected directly to the tank, and extended sufficiently inside the tank so as to be below the minimum fluid level to avoid generating foam and to prevent emptying when the pump is not running. Moreover, the drain pipe must also be at the highest possible position in relation to the pump in order to always prevent fluid emptying from the pump, and must be free of restrictions. **The drain pipe should be as far as possible from the suction pipe to prevent hot fluid being circulated.**

**Pressure line.** Ensure that the pressure line is strong enough. It is recommended that a non-return valve (check valve) is installed on the pump pressure line as well as an automatic air bleed valve, for trouble free operation.

Ensure that any valves, taps and gate valves on the suction and pressure pipes are fully opened and all protective caps removed. Fill the pump through the case drain port and replace the drain pipework. Check that the reservoir is full of fluid.

**Ensure that the pump shaft can be rotated manually without any resistance.**

Check that the motor rotation direction is the same as the pump rotation direction: right-hand rotation (clockwise) viewed from shaft end of the pump.

Start the motor (in jogging mode), allowing free circulation of fluid to the tank in order to facilitate priming.

**The pump should prime within 5 seconds. If it does not, switch it off and investigate the cause. The pump should not run empty.**

**During INITIAL INSTALLATION, the pump must run under maximum flow conditions (P connected to T), with the fluid flowing directly into the tank, without pressure for several minutes.** Care should be taken to eliminate all the air from the system during this process. To facilitate this operation, there is an air bleed port on the pressure compensator device: unscrew the cap to bleed the air and then close the cap.

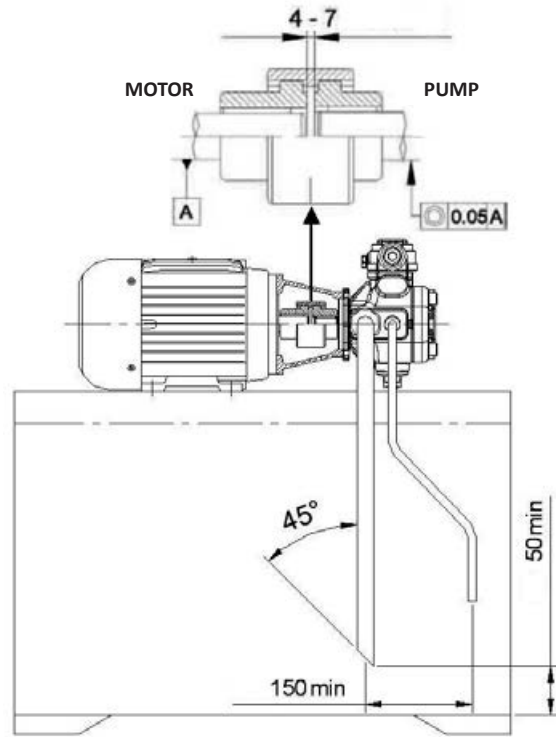
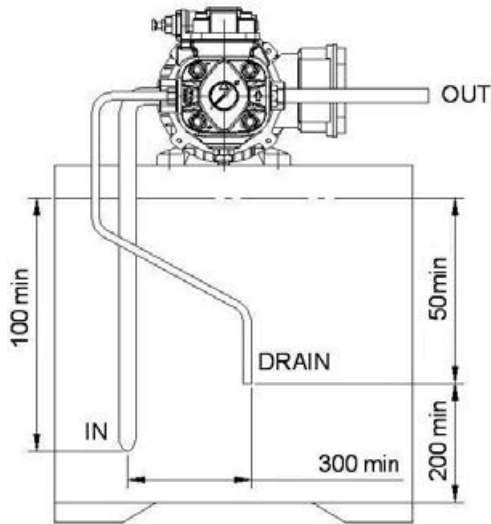
Subsequent start-ups under zero flow setting conditions are admissible only with pressure not exceeding 30 bar, and with the system and pump completely filled with fluid.

**If the flow regulator unit is set to less than 50% of the nominal flow-rate, the pump can only start on condition that the system and the pump are completely filled with fluid.**

**During the initial and subsequent starting operations, it is necessary that the pump (ambient) and fluid temperature do not differ by more than 20°C.** If this is the case, the pump should be switched on only for short intervals of approximately 1-2

seconds (start/stop mode) without pressure, until the temperatures are balanced.

For further information, please contact the Parker Hannifin Technical-Sales Service.



# ASSEMBLY

## ASSEMBLY

E.G. PVSH-05-16-FHRM

